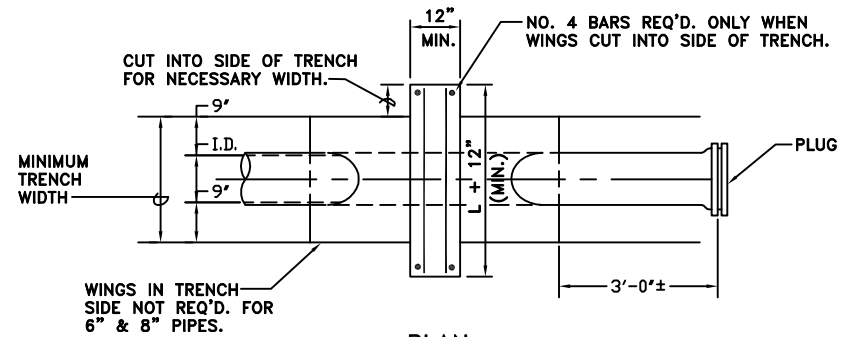
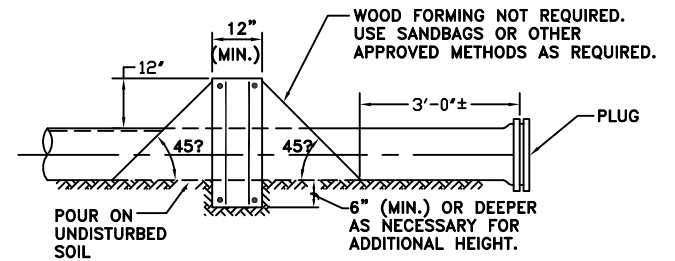


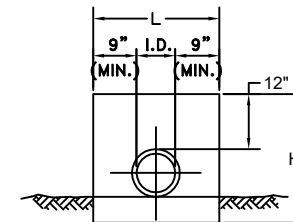
PLAN VIEW
N.T.S.



PLAN



SIDE ELEVATION



FRONT ELEVATION

CONCRETE DEAD END ANCHOR BLOCK DETAILS
N.T.S.