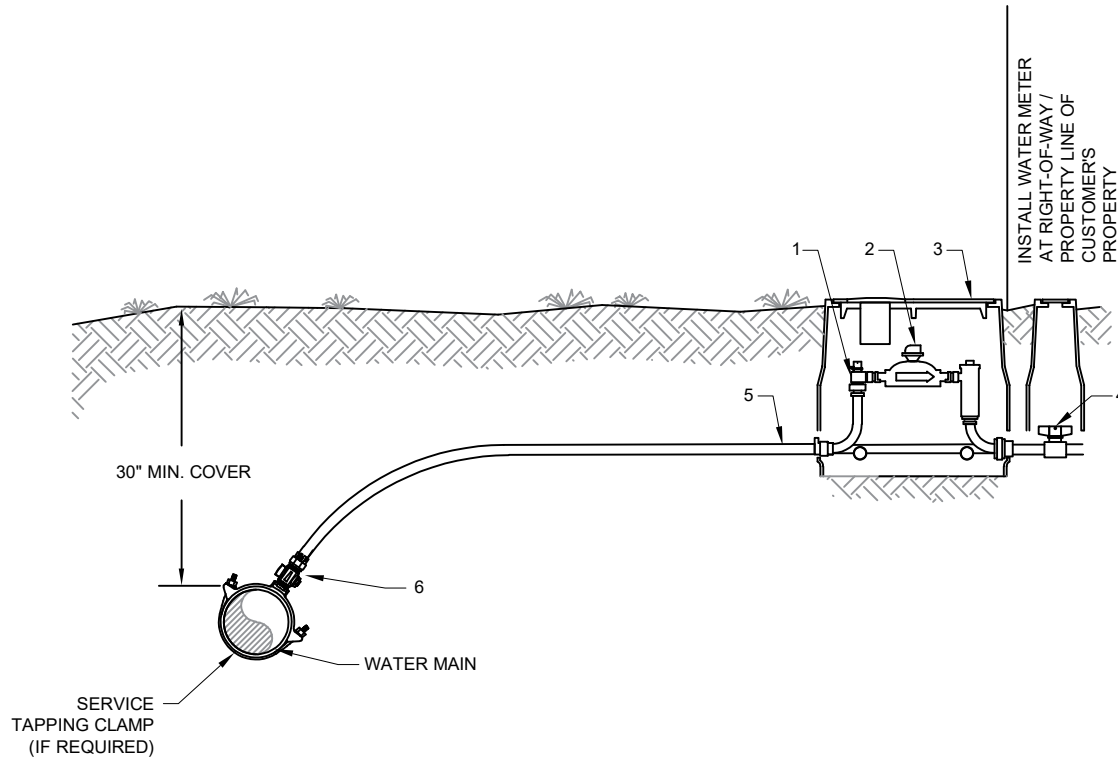


WATER METER MATERIAL SCHEDULE

1. METER YOKE
 - A. $\frac{3}{4}$ " METER YOKE SHALL BE FORD LINE SETTER LSVBHH48-233W-Q-NL OR APPROVED EQUAL.
 - B. 1" METER YOKE SHALL BE FORD LINE SETTER LSVBHH48-444W-SN-AQ-NL OR APPROVED EQUAL.
 - C. 1.5" METER YOKE SHALL BE FORD LINE SETTER VBHH76-12HBHC-11-66-NL OR APPROVED EQUAL.
 - D. 2.0" METER YOKE SHALL BE FORD LINE SETTER VBHH77-12HBHC-11-77-NL OR APPROVED EQUAL.
 2. WATER METER PROVIDED AND INSTALLED BY RIVIERA UTILITIES.
 3. METER BOX AND COVER
 - A. FOR $\frac{3}{4}$ " SERVICE METER BOX SHALL BE CARSON OLDCASTLE 1015-12 WITH A 1419 FLUSH-MOUNTED LID WITH A 4.5-INCH OD RECESSED AMR OFFSET AND INTEGRAL METAL LOCATOR DEVICE, OR APPROVED EQUAL.
 - B. FOR 1" SERVICE METER BOX SHALL BE CARSON OLDCASTLE 1220-12 WITH A FLUSH-MOUNTED LID WITH CAST IRON READER, OR APPROVED EQUAL.
 - C. FOR 1.5" AND 2" SERVICES CARSON OLDCASTLE 1730-18 WITH A FLUSH-MOUNTED LID WITH CAST IRON READER, OR APPROVED EQUAL.
 4. CUSTOMER-SIDE SHUT-OFF VALVE, VALVE BOX AND SERVICE PIPING (BY OTHERS) INSTALLED BETWEEN ONE TO TWO FEET FROM THE METER BOX.
 5. SERVICE PIPING SHALL BE TYPE K COPPER TUBING (SEAMLESS WITH NO BENDS, JOINTS OR COMPRESSION COUPLINGS). CROSS-LINKED PEX (MUNICIPEX OR APPROVED EQUAL IS ACCEPTABLE FOR 1.5" AND 2" SERVICES WHERE APPROVED BY RIVIERA UTILITIES.
 6. CORPORATION STOPS
 - A. $\frac{3}{4}$ " BALL-STYLE CORPORATION STOPS SHALL BE FORD FB1000-3-Q-NL, MUELLER B2500800N $\frac{3}{4}$ ", A.Y. MCDONALD 74701BQ $\frac{3}{4}$ ", OR APPROVED EQUAL.
 - B. 1" BALL-STYLE CORPORATION STOPS SHALL BE FORD FB1000-4-Q-NL, MUELLER B2500800N 1", A.Y. MCDONALD 74701BQ 1", OR APPROVED EQUAL.
- 1.5" SERVICES SHALL BE INSTALLED WITH A 2" TAP AND 2" TYPE K COPPER OR MUNICIPEX (OR APPROVED EQUAL) WATER SERVICE LINE. A 2" VALVE SHALL BE INSTALLED PRIOR TO METER BOX TO REDUCE TO THE 1.5" METER YOKE.



DETAIL NOTES:

1. CORPORATION STOPS WHERE REQUIRED OR DIRECTED SHALL HAVE STANDARD CC CORPORATION STOP THREAD ON INLET AS SPECIFIED BY AWWA C800 AND COPPER SIZE O.D. OUTLET SUITABLE FOR SPECIFIED SERVICE PIPING. CORPORATION STOPS MAY BE TAPPED DIRECTLY INTO DUCTILE IRON AND C900 PVC WATER MAINS ONLY. CORPORATION STOPS SHALL BE TAPPED INTO OTHER EXISTING WATER MAINS ONLY BY MEANS OF A BRONZE SERVICE CLAMP (MUELLER H1300 SERIES, FORD S70 SERIES, OR EQUAL)
2. REFER TO RIVIERA UTILITIES' STANDARD SPECIFICATIONS FOR WATER MAINS, MOST RECENT VERSION, TO CONFIRM CURRENT SPECIFICATIONS AND MODEL NUMBERS FOR MATERIALS INDICATED ON THIS DETAIL. WHEN IN CONFLICT, THE STANDARD SPECIFICATIONS SHALL CONTROL.

ELEVATION VIEW
N.T.S.