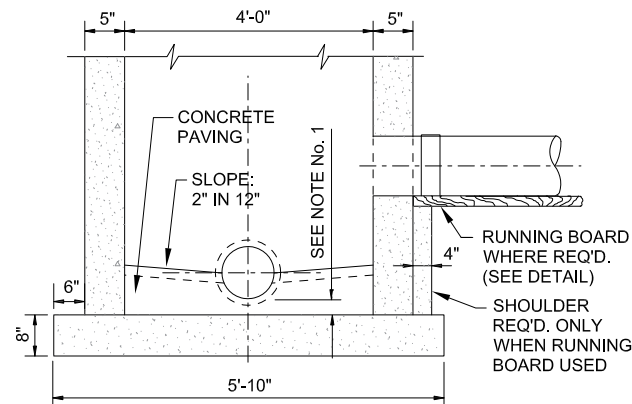


PLAN
N.T.S.

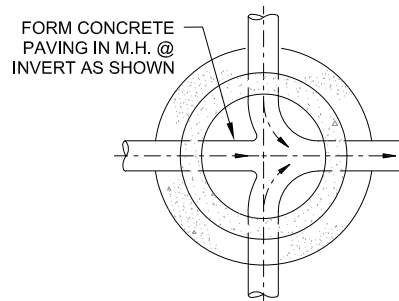
NOTES

1. DISTANCE BETWEEN INVERT OF PIPE AND OUTSIDE OF BELL DETERMINES THE ELEVATION OF TOP OF 8" CONCRETE SLAB.
2. MANHOLE STEPS SHALL BE STEEL RODS ENCASED IN POLYPROPYLENE PLASTIC AND SHALL BE TYPE "PS-1-B" AS MANUFACTURED BY M.A. INDUSTRIES, INC., OR AN APPROVED EQUAL.
3. ALL PIPES IN OR OUT OF MANHOLE SHALL BE FLUSH WITH INSIDE WALL OF MANHOLE.
4. FOR DEAD END MANHOLES THE FLOW CHANNEL SHALL EXTEND THE WIDTH OF THE MANHOLE.
5. ALL NEW CONCRETE MANHOLES SHALL BE MADE USING CONSHIELD CONCRETE ADMIXTURE FOR THE PREVENTION OF CORROSION DUE TO HYDROGEN SULFIDE GASES.

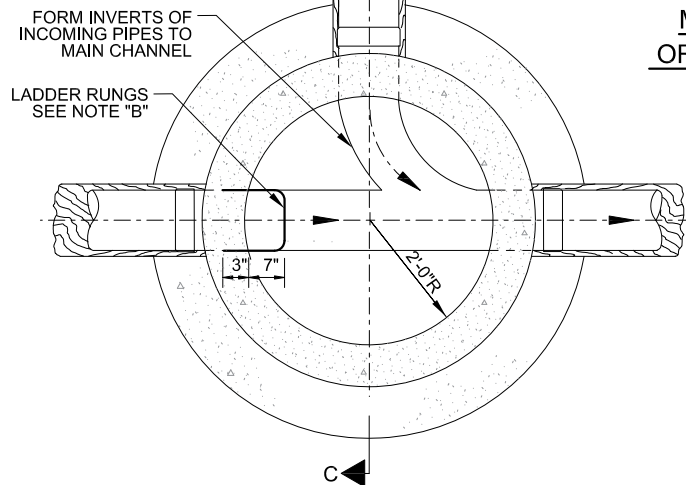


SECTION C-C
N.T.S.

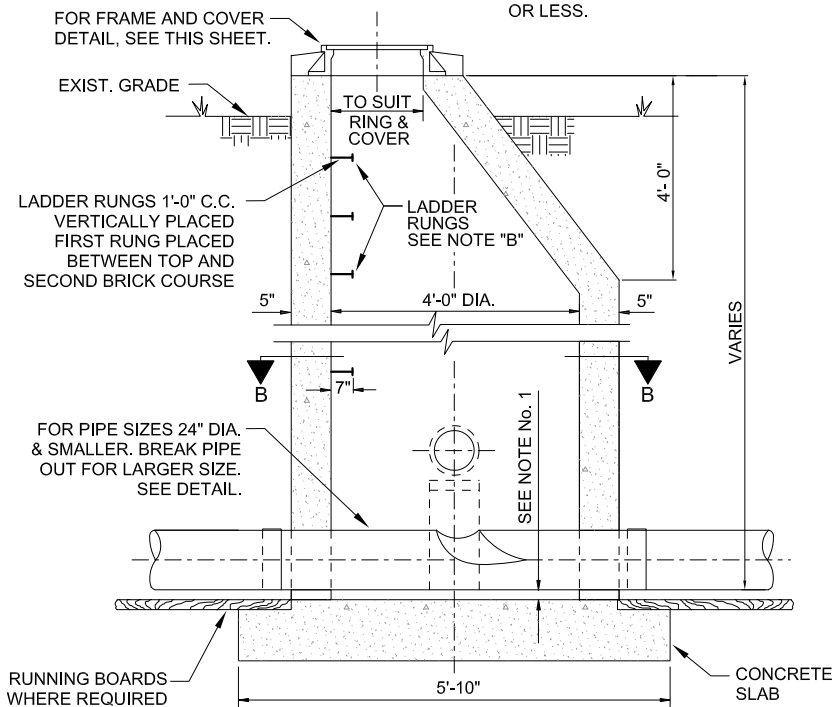
NOTE:
ALL MANHOLES SHALL HAVE A FLAT TOP WHERE TOTAL DEPTH IS 4-FT OR LESS.



MANHOLE WITH THREE OR MORE PIPES AT INVERT
N.T.S.



SECTION B-B
N.T.S.



SECTION A-A
N.T.S.

RIVIERA UTILITIES



EASTERN DIVISION
GAS, WATER, & WASTEWATER DEPARTMENT
413 EAST LAUREL AVENUE
FOLEY, ALABAMA 36535
251.943.5001

STANDARD SANITARY SEWER DETAILS

PRECAST MANHOLE DETAILS
PIPE DIAMETERS LESS THAN 24-INCH

DATE ISSUED
07-14-17

SHEET NO.
S-1